



DESCRIPTION:

- Tall faucet with single hole installation
- Single lever, water & temperature control
- Brass body with chrome finish
- High quality, drip-free ceramic cartridge
- Corrosion & discolouration resistant
- Complies with CSA & IAPMO standards

PRESSURE:

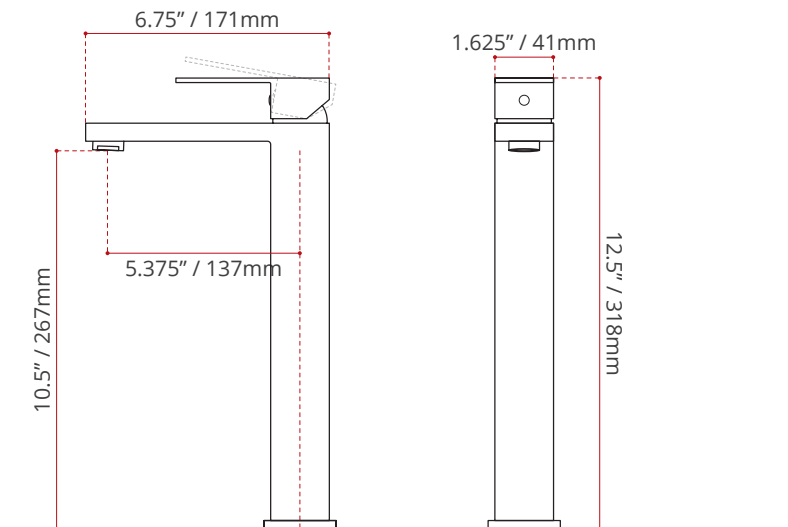
60 PSI

FLOW RATE:

4.5 LPM

SHIPPING INFORMATION:

- Length: 8.4" / 215mm
- Width: 3.5" / 90mm
- Height: 16.3" / 415mm
- Net Weight: 2.16 kg / 4.7 lbs.
- Gross Weight: 2.66 kg / 5.8 lbs.



DISCLAIMER:

Measurements may vary $\pm 1/4"$
(Diagram Not to scale)

